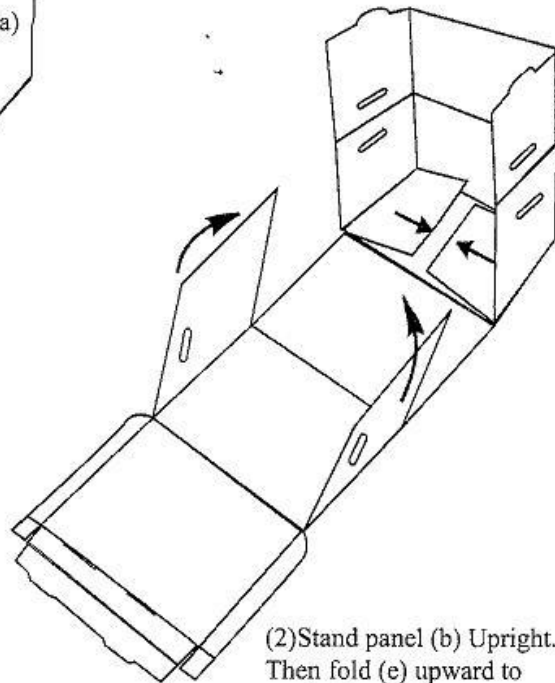
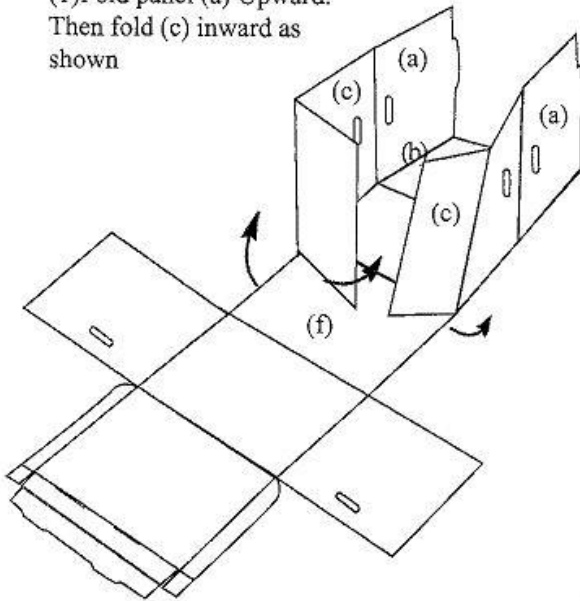
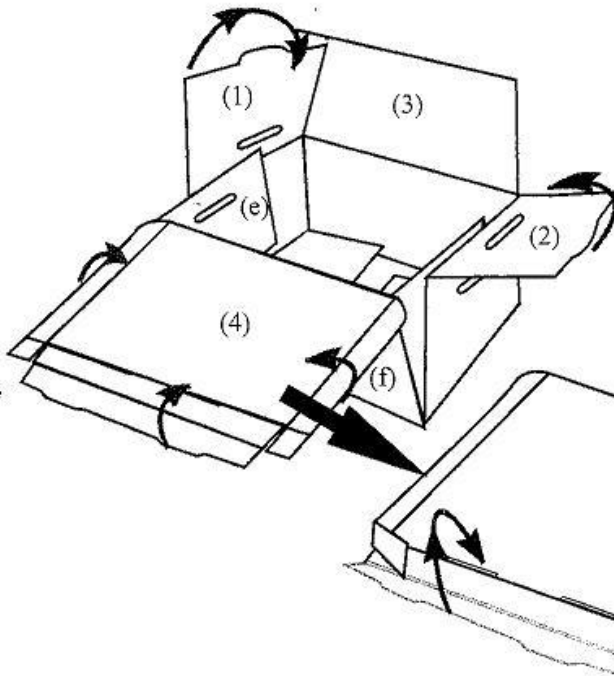


Assembly instruction for **Record Storage Box** with attached lid

(1) Fold panel (a) Upward.
Then fold (c) inward as
shown



(2) Stand panel (b) Upright.
Then fold (e) upward to
vertical position.



3) Insert (e) Panels as shown. Fold
flaps in by number orders 1-4.

(Lid): Fold panel (a) upward. Fold
flaps (b) to form a right angle. Raise
(c) up covering (a) to tuck in place.