

## Securing the Case (Floor Cases Only)

**CAUTION** - Do not lift the case by its top.

Your Quantum floor case is supplied with a Furniture Tipping Restraint kit. Install this kit, per the manufactures instructions, before adjusting doors and/or in installing the shelves.

## Adjusting the Doors (All Cases)

Your Quantum case comes from the factory with the door(s) pre-aligned. The door(s) should open freely and there should be an approximate 3/32" vertical gap between the doors when they are closed. (2 door cases *only* - See *Figure 1.*) Should the door(s) need adjustment (possibly due the movement during shipping), please perform the following procedure:

1. Unlock and open the door(s) to allow access to the door hinge screws.
2. Grasp the door along the outermost edge, to support the door during adjustment. *If you purchased a large case, have someone assist you by supporting the door.*
3. While supporting the door, loosen the two adjustment screws, in the top door hinge. (See *Figure 2.*)
4. Slightly lift or lower the end of door as needed.
5. Re-tighten the adjustment screws to a snug fit. (DO NOT OVER TIGHTEN)
6. Closed the door(s) and check the alignment.

*Repeat steps 2 thru 5 for the other hinges, if needed.*

## Shelf Installation (All Cases)

**CAUTION** - When installing shelving into a free-standing case, be sure to stabilize it with the help of another individual. The case could tip if not properly supported.

1. Unlock and open both doors.
2. Carefully insert a glass shelf through the door opening and position the long straight edge of the shelf onto the shelf hanger bracket. (See *Figure 3.*)
3. Center the shelf in the case. *The shelf should overlap the bracket by approximately 3/4" on each end.*
4. Slide the shelf straight back into the bracket with firm pressure. (See *Figure 3.*) *The shelf should insert into the bracket approximately 1/2".*

*Repeat this procedure for each shelf.*

*(Note: To remove the shelf, pull it straight out of the bracket.)*

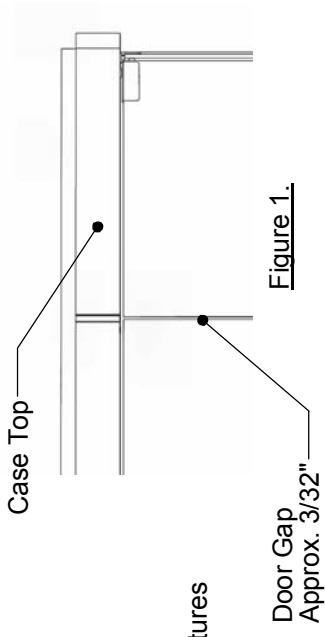


Figure 1.

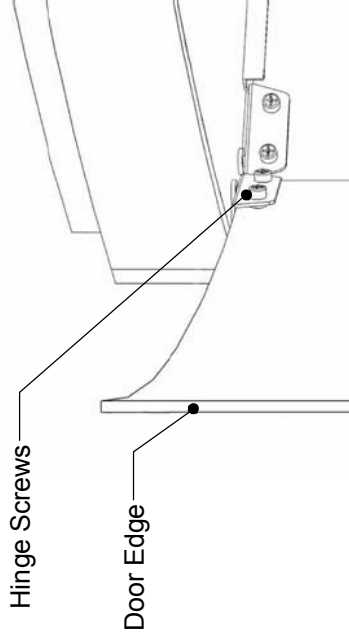


Figure 2.

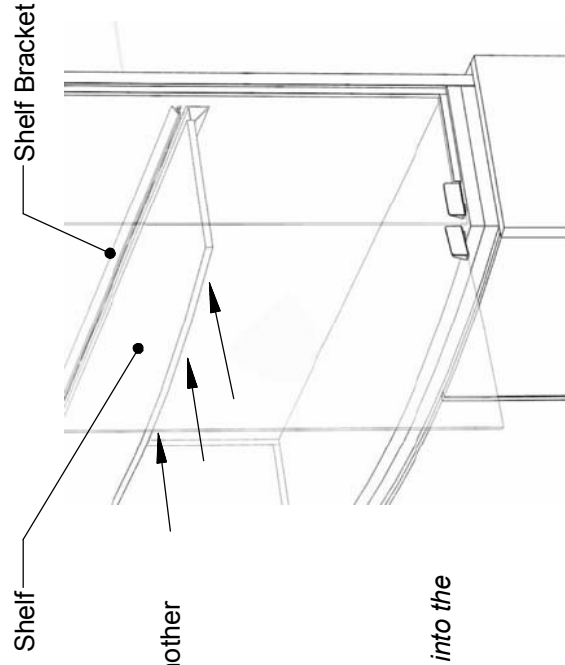


Figure 3.

## Wall Mounting Instructions (Wall Cases Only)

**CAUTION** - Do not lift the case by its top.

Your Quantum Wall Mount Case is designed for mounting on most wall surfaces. Because of the wide variation of mounting surface construction, specific mounting hardware is not included.

### Tools and Hardware:

Taped to the back of your case are two wooded cleats. (See Figure 4.) These are to be used for hanging the unit. There are matching cleats already attached to the back of the case. To mount the case to a wall you will need a pencil, level, stud-finder, drill, countersink, screw driver, and #8 (or larger) flat head screws (not included).

1. Remove the wall cleats from the back of the cabinet.
2. Determine a mounting location for the case that is near an electrical outlet.
3. Determine the cabinet mounting height. Measure up from the floor to where the bottom edge of the case is to be located. Add  $29 \frac{3}{4}$ " to your measurement for the location of the top wall cleat. Scribe a level horizontal line at this location. (See Figure 5.)
4. Measure down from the top wall cleat line  $20$ " and scribe a level horizontal line for the lower wall cleat.
5. Locate and scribe vertical lines along the horizontal wall cleat lines at the wall stud locations. Fasten each wall cleat directly to a minimum of 2 wall studs.
6. Measure the distance between the studs and transfer this distance onto the cleats. Center the hole locations vertically and horizontally on the cleats.
7. Drill holes for the screws into the cleats. Countersink the drilled holes on the widest side of the cleats.
8. Place the bottom edge of each wall cleat along its scribed line with the widest side of the cleat away from the wall and the angle cut side facing up. (See Figure 5.) Adjust the cleats until the holes for the screws are aligned with the scribed lines of the stud locations on the wall.
9. Using the wall cleats as templates, drill pilot holes into the wall.
10. Attach the wall cleats to the wall using the appropriate screws (not included).  
Check to be sure that screws and cleats are securely fastened to wall.
11. Lift and hook the case over the wall cleats and gently lower it into position.  
**Please note that the case weighs 140lbs, so it is recommended that at least two people hang the unit onto the wall.**

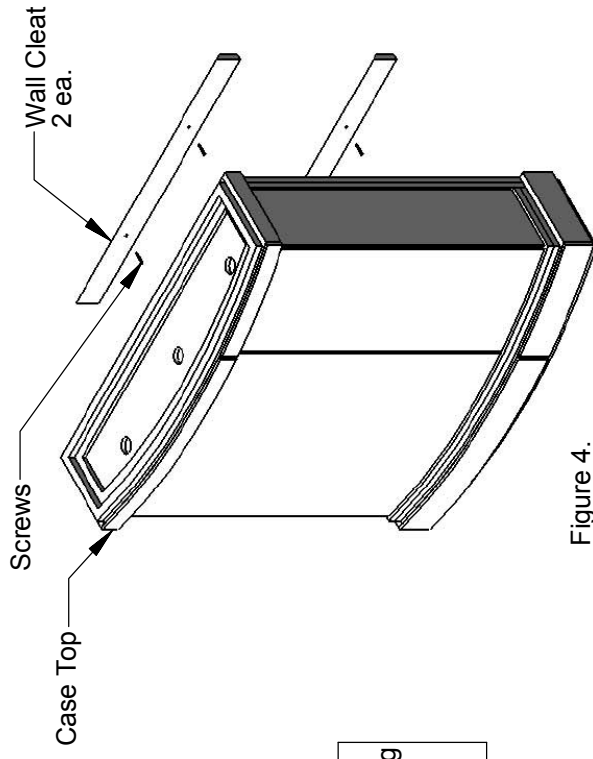


Figure 4.

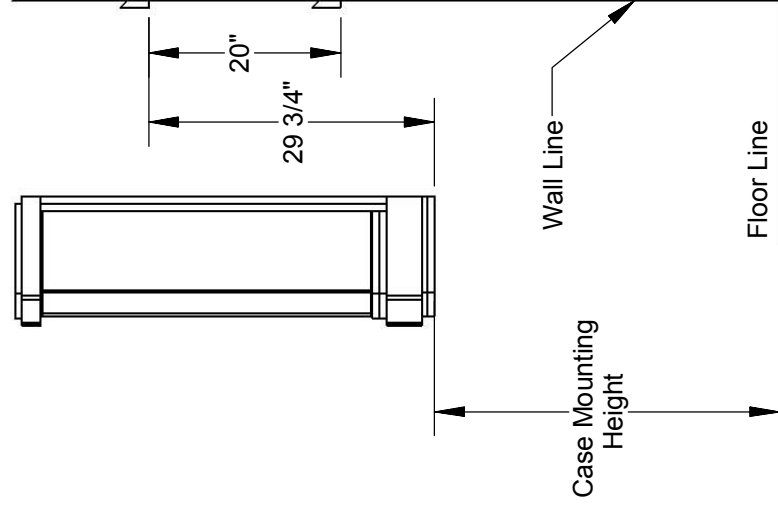
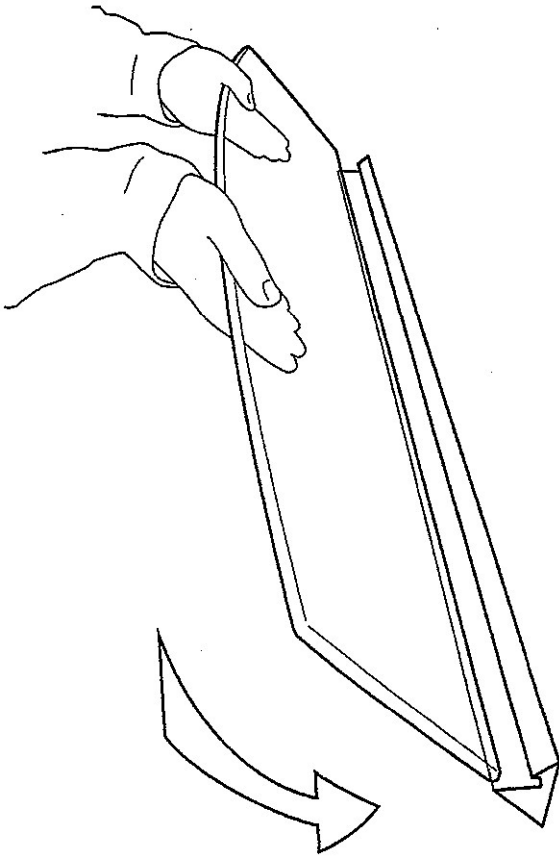


Figure 5.

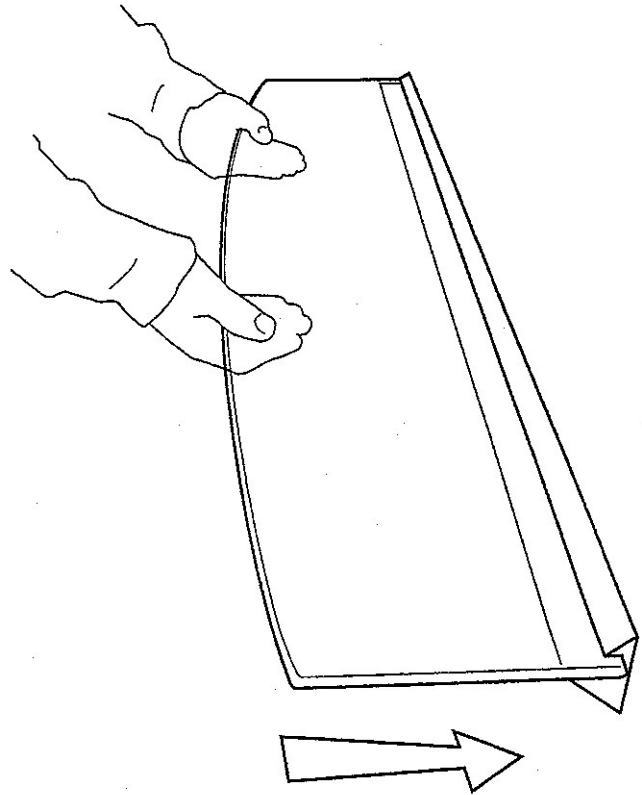
# Quantum Shelf Installation Guide

1.




Insert glass shelving  
at a downward angle

2.



To secure shelving apply  
pressure and push toward  
back of case.

**CAUTION**  When installing shelving, be sure to stabilize case against a wall, or with the help of another individual. Case could tip if not properly supported.